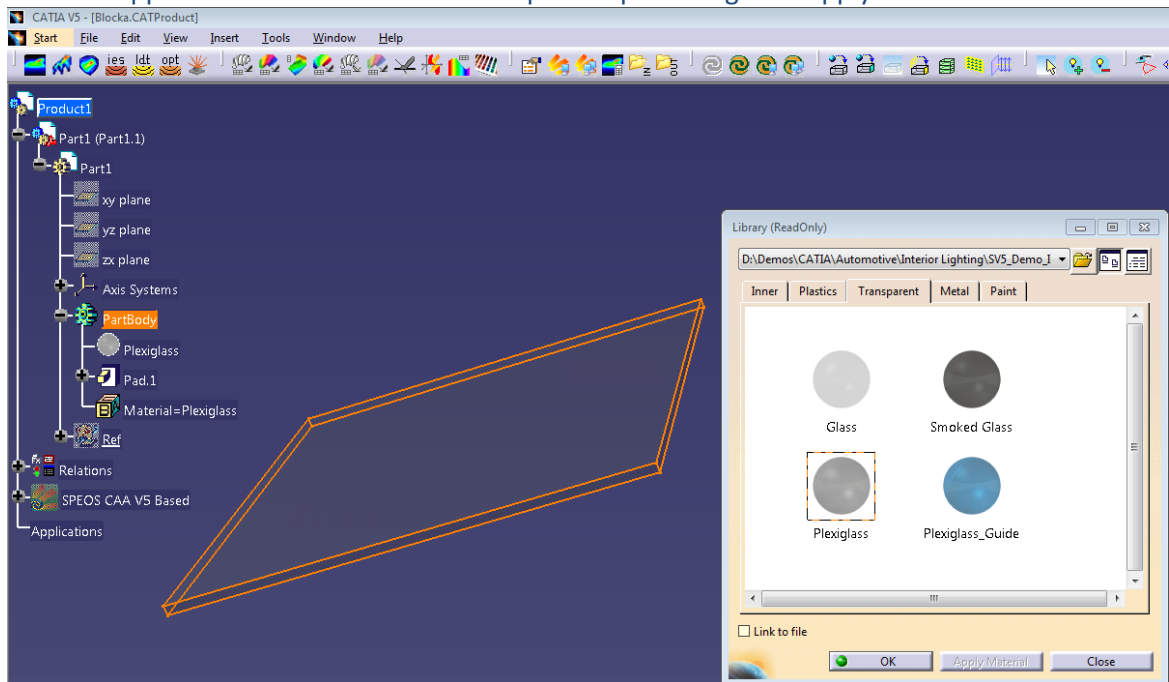


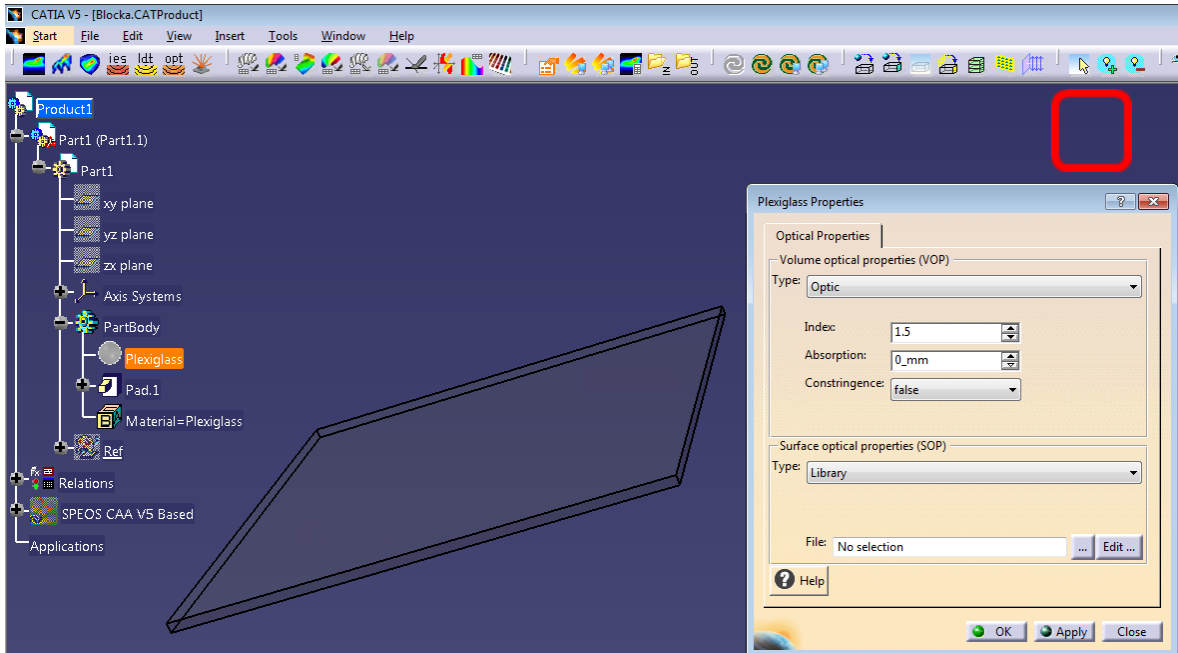
Instructions for Importing Optis BSGF Data in to CAD Environments

The SPEOS/Optis BSGF data is compatible with 4 different CAD packages: CATIA, Solid Works, NX and ProE. Below you will find the instructions using the files in CATIA, the other packages would be similar.

1. The user applies a CATIA material to the respective part using the “Apply Material” feature



2. Click on the material applied, in this case, Plexiglass, and click “Edit SPEOS Properties.” Then, change the Surface optical properties type to Library.



3. Browse for the file and open it. The material is now applied to the surface of the part.

